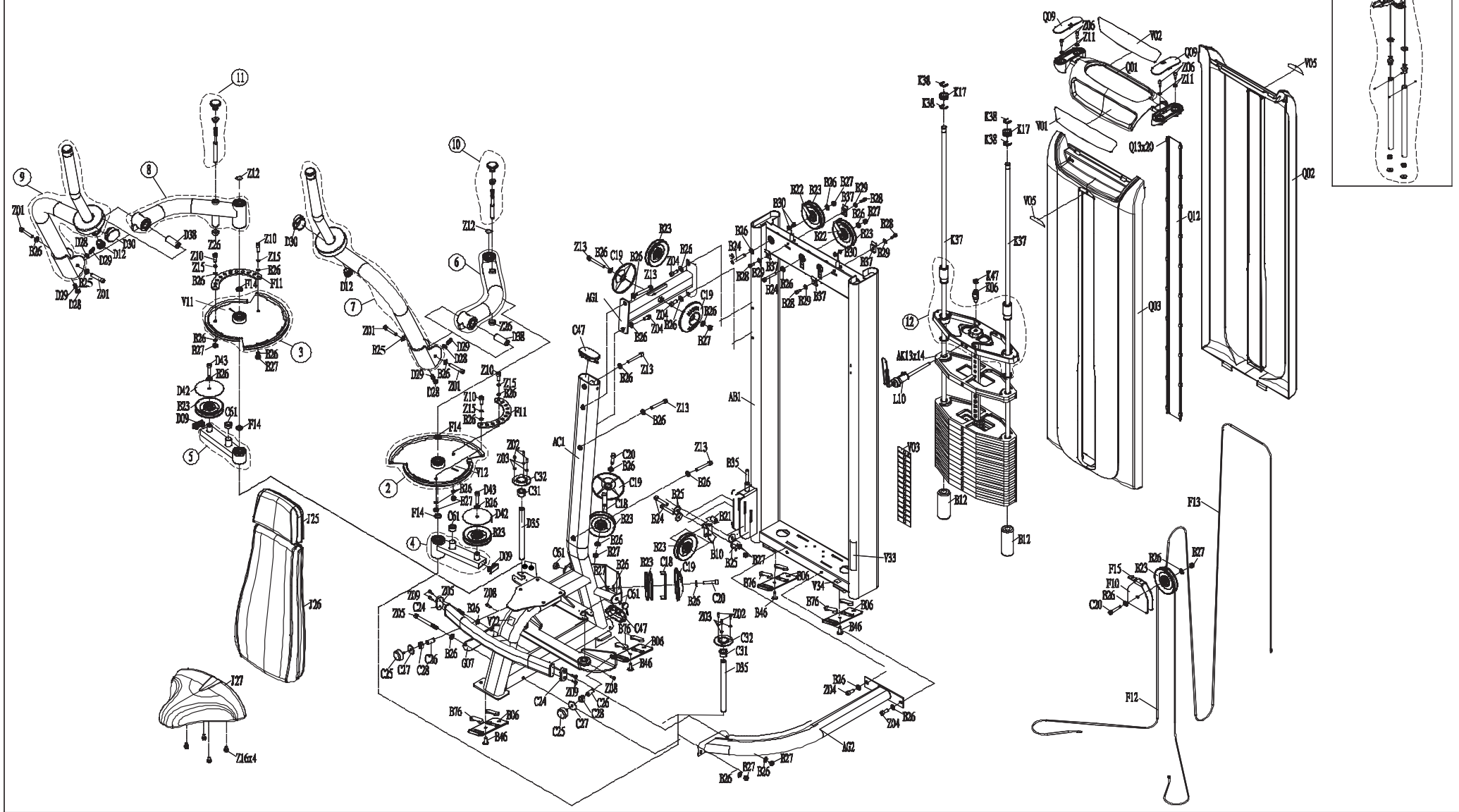
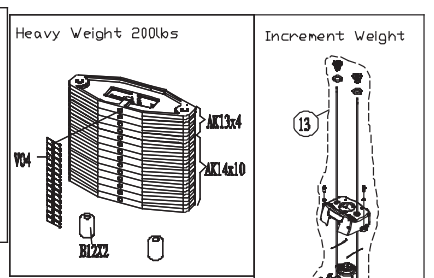
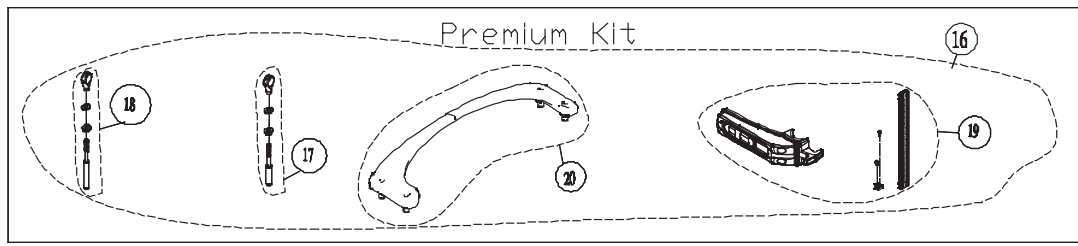
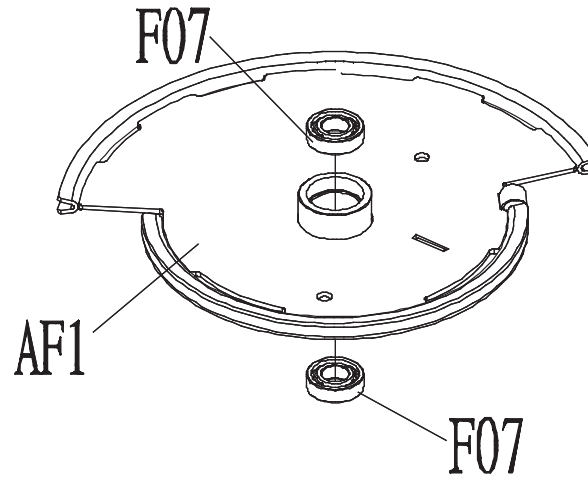


DRAWING NO	GM70-A03		
PART NAME	PGM70-VS		
PART NO	1000218553		A
APPROVE	JETTA	DATE	20120718

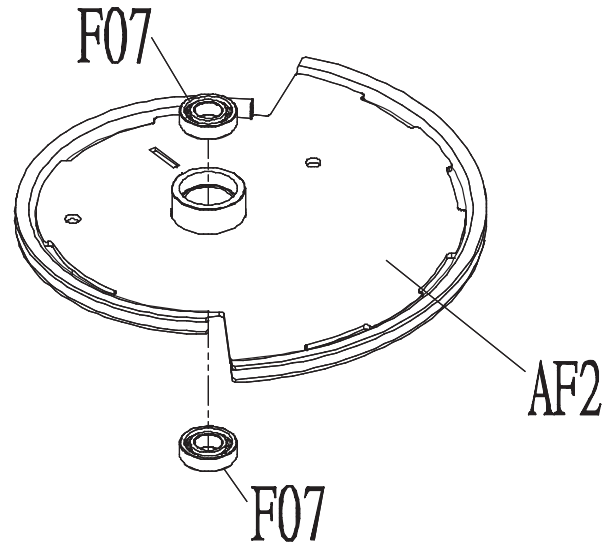


DRAWING NO			
PART NAME	CAM SET ;LEFT		
PART NO	1000210724		
APPROVED	NICOLE	DATE	20120105

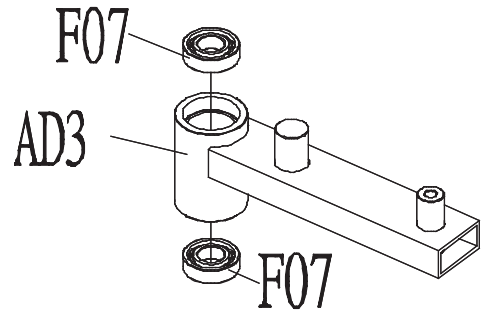


DRAWING NO			
PART NAME	CAM SET; RIGHT		
PART NO	1000210702		
APPROVE	NICOLE	DATE	20120105

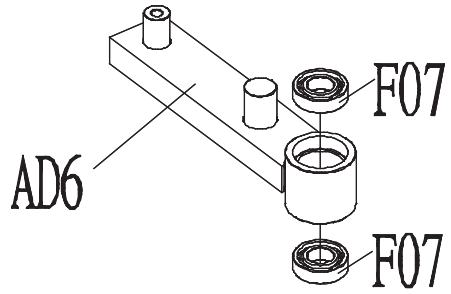
A



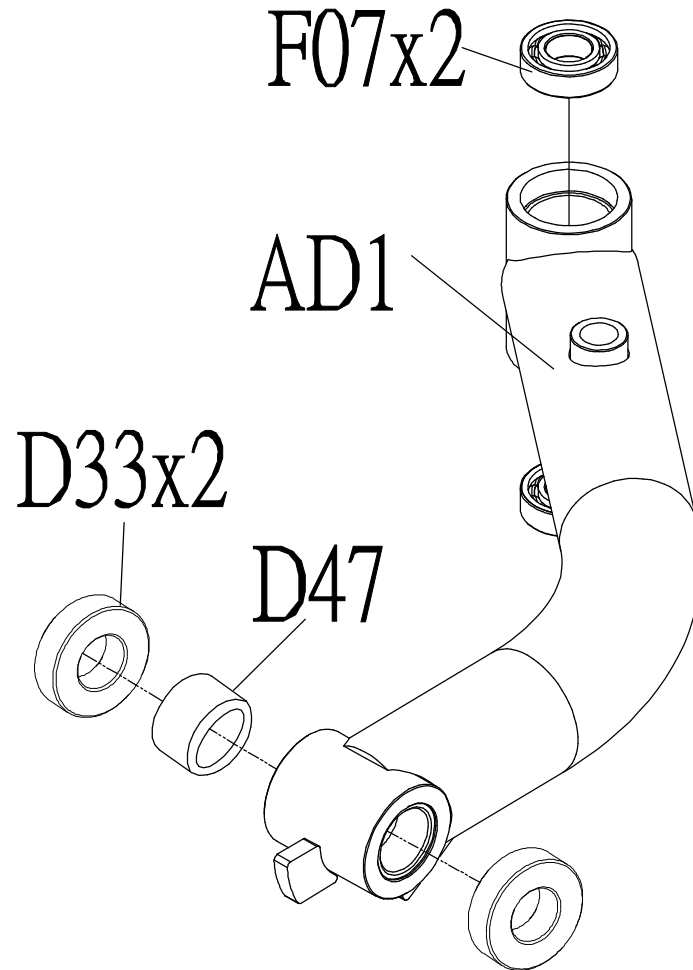
DRAWING NO			
PART NAME	Support set;left		
PART NO	1000217131		
APPROVED	NICOLE	DATE	20120105



DRAWING NO			
PART NAME	Support set;Right		
PART NO	1000217132		
APPROVE	NICOLE	DATE	20120105

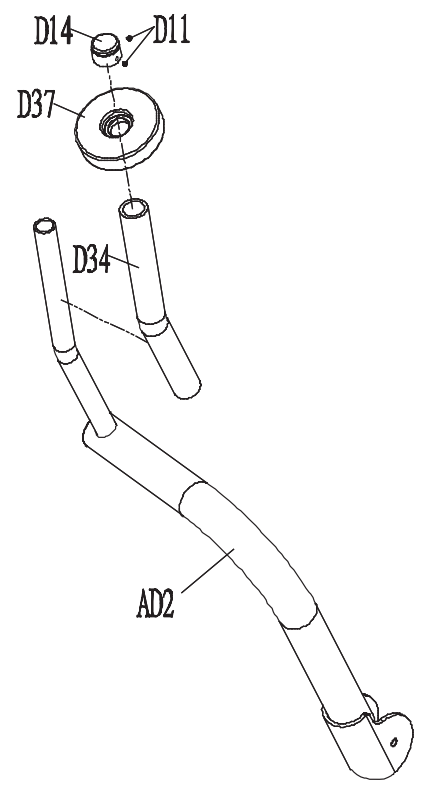



IDENTIFY NO	GM70-SF09		
PART NAME	Pedal Arm Set;Left Down;GM70		
PART NO	See chart		A
APPROVE	Crystal	DATE	20190717

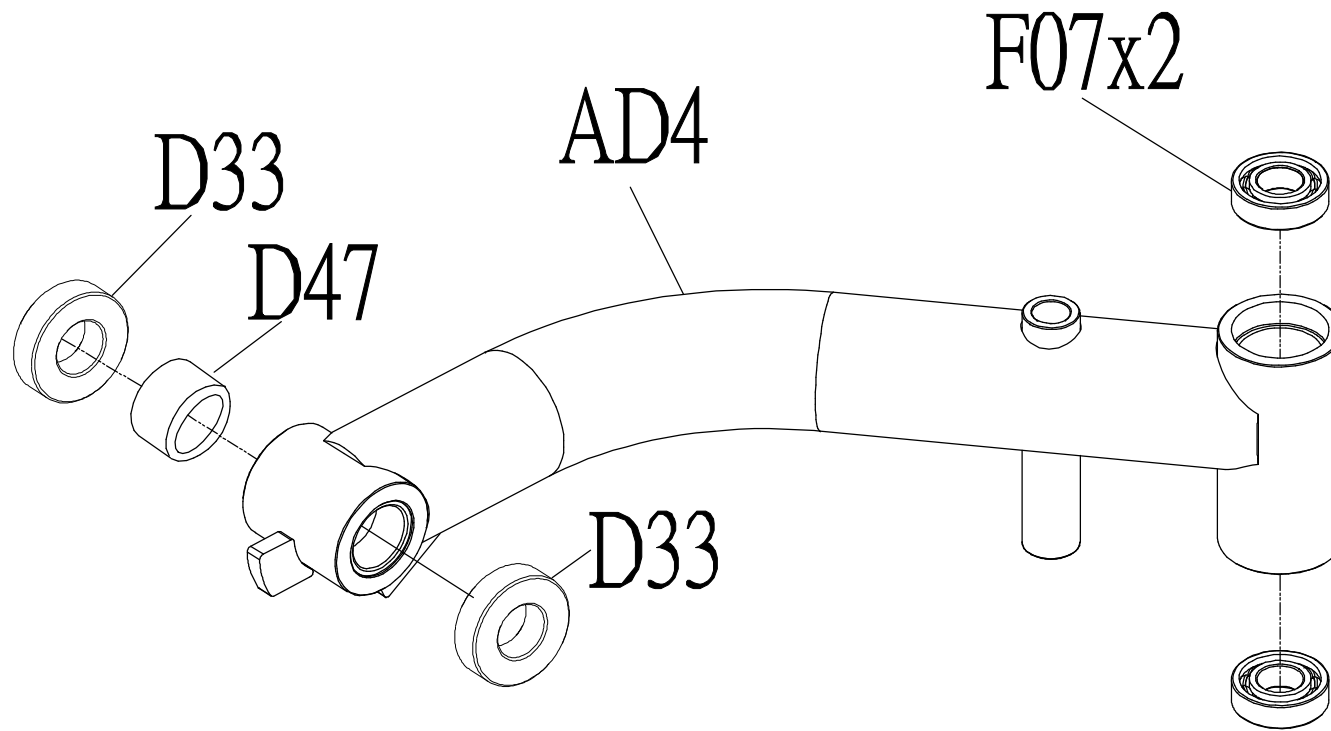


Colour	Part no.
Default	1000210759
Iced Sliver	1000443575
Platinum	1000443576
Polarized Titanium	1000443577
Lace White	1000443578
Pearl White	1000443579
Black Matte	1000443580
Black Glossy	1000443581

DRAWING NO	
PART NAME	Pedal arm con set ;left up
PART NO	1000210767 A
APPROVE	NICOLE <small>DES</small> 20120105

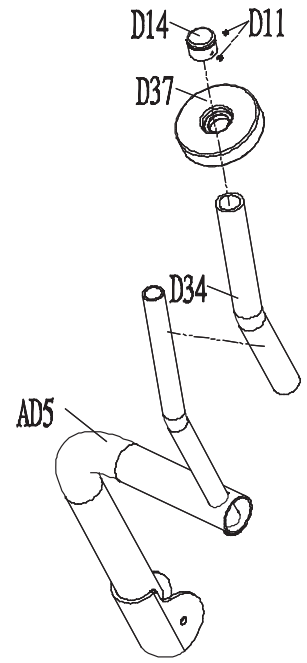


IDENTIFY NO	GM70-SF10		
PART NAME	Pedal Arm Set;Right Down;GM70		
PART NO	See chart		A
APPROVE	Crystal	DATE	20190717

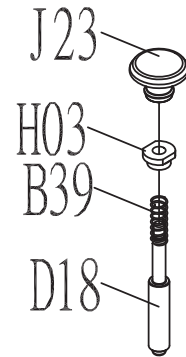


Colour	Part no.
Default	1000210741
Iced Sliver	1000443582
Platinum	1000443583
Polarized Titanium	1000443584
Lace White	1000443585
Pearl White	1000443586
Black Matte	1000443587
Black Glossy	1000443588

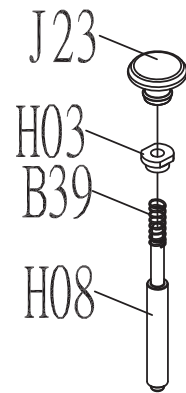
DESIGN NO	
PART NAME	Pedal arm con set ;right up
PART NO	1000210750 IIA
APPROVE	NICOLE DATE 20120105



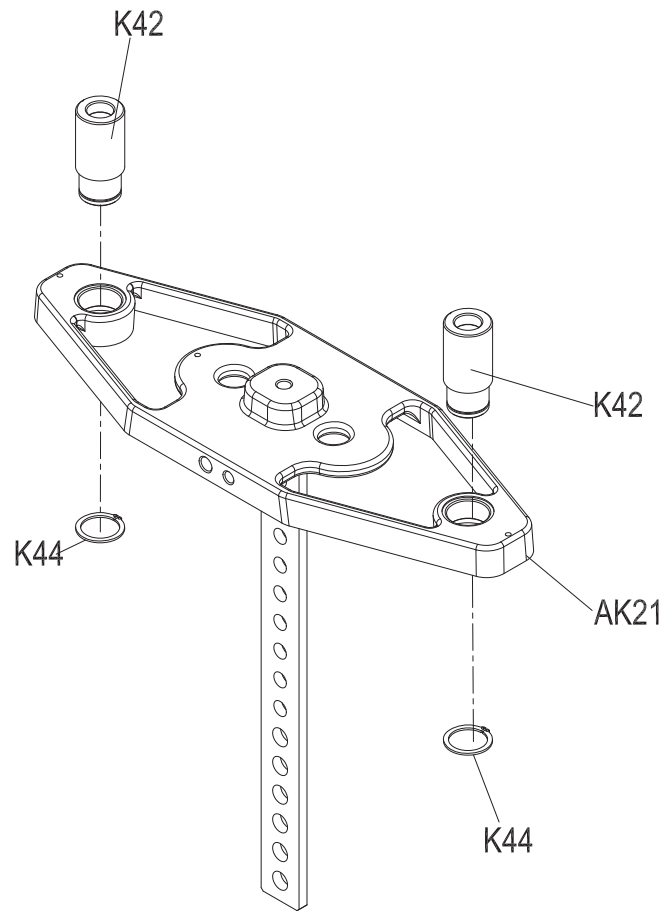
DRAWING NO			
PART NAME	Left pin set;adjust (value line)		
PART NO	1000210735		
APPROVE	NICOLE	DATE	20120105



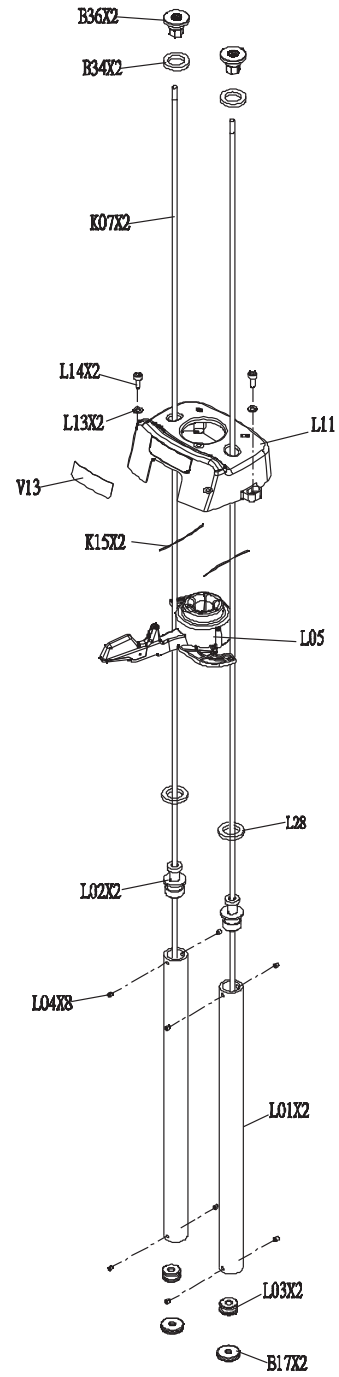
DRAWING NO			
PART NAME	Right pin set;adjust (value line)		
PART NO	1000217134		
APPROVE	NICOLE	DATE	20120105




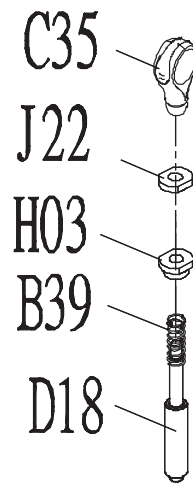
DRAWING NO			
PART NAME	Head Plate		
PART NO	1000207217	REV	A
APPROVE	CINDY	DATE	2012114



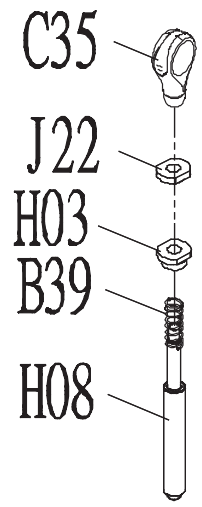
DRAWING NO	
PART NAME	Assistant Weight Plate Set
PART NO	1000113110 REV B
APPROVE	JOHN DATE 20120711



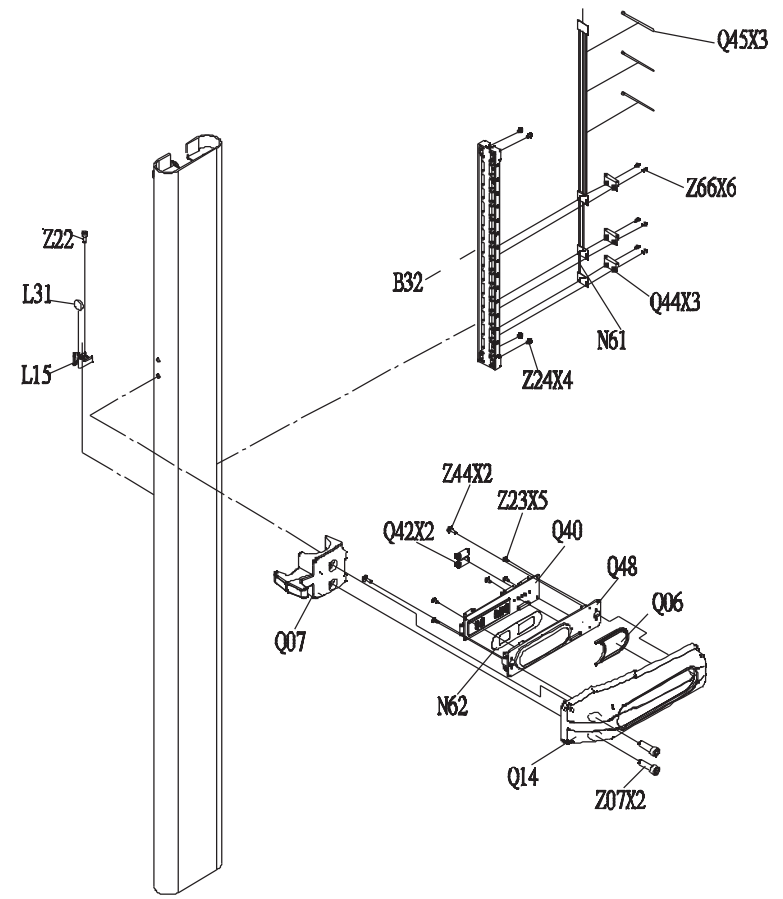
DRAWING NO	
PART NAME	Left pin set;adjust (premium line)
PART NO	1000217203 
APPROVE	NICOLE DATE 20120105



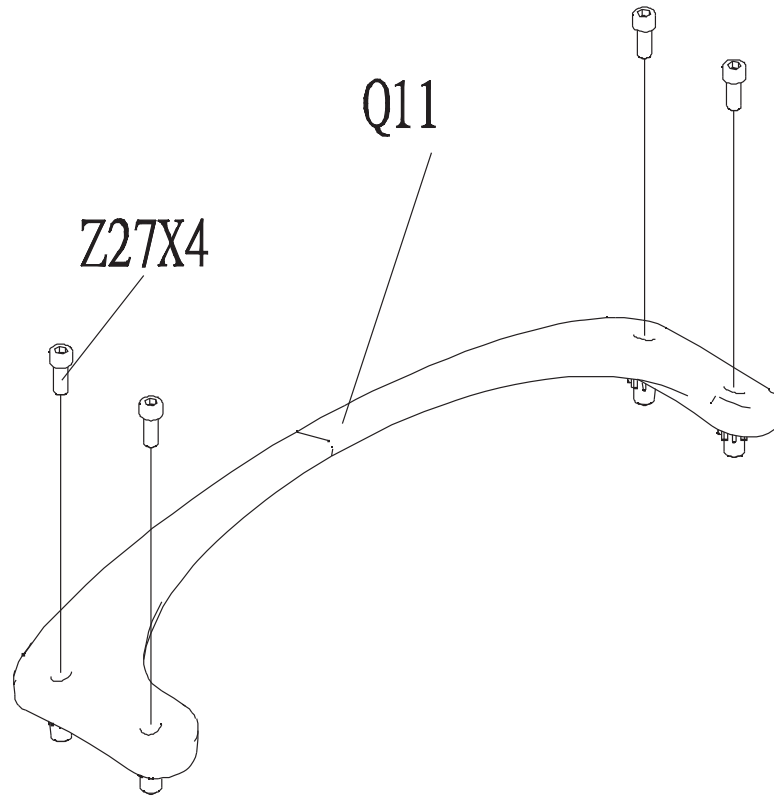
REVISION NO			
PART NAME	Right pin set;adjust (premium line)		
PART NO	1000217204		
APPROVALS	NICOLE	DATE	20120105



DRAWING NO	
PART NAME	SENSE ORGAN SET
PART NO	1000200250 <small>REV</small> A
APPROVE	JOHN DATE 20120711



DRAWING NO	
PART NAME	SHIELD SET;U
PART NO	1000220477
APPROVE	PAUL
DATE	20120711



Bubble #	OEM Number	Description	Notes
1	1000210702	TRANSMISSION SET R GM70-KM -	
10	1000210735	PIN SET SA LEFT VALUE GM70-KM - -	Order Kit 15 for Premium.
11	1000113110	Assistant Weight Plate Set GM59-KM	Incremental Weight Plate Set
12	1000207217	Wps Superstratum GM59	
13	1000218542	PREMIUM LEVEL SA GM70-KM	Contains all Premium Kit parts (Kits 14-17).
14	1000217204	PIN SET R SA (PREMIUM) GM70-KM	Premium version of Kit 9.
15	1000217203	PIN SET L SA (PREMIUM) GM70-KM	Premium version of Kit 10.
16	1000220477	PREMIUM - SHIELD SET U GM59 - PREMIUM - REP COUNTER right	
17	1000390201	GM61/GM64/GM65/	
2	1000210724	TRANSMISSION SET L GM70-KM -	
3	1000217131	SUPPORT SEAT SET LEFT GM70-KM	
4	1000217132	SUPPORT SEAT SET R GM70-KM	
5	1000443575	Pedal Arm set Semi-Assy left down Iced S	New design see bulletin "Swing Arm Joint
6	1000443582	Pedal Arm set Semi-Assy right down Iced	New design see bulletin "Swing Arm Joint
7	1000423016	Pedal Arm set Semi-Assy left up Iced Sli	New design see bulletin "Swing Arm Joint
8	1000423046	Pedal Arm set Semi-Assy right up Iced Sl	New design see bulletin "Swing Arm Joint
9	1000305793	Pin set Semi-Assy FW212-KM	Order Kit 14 for Premium.
AB1	1000210728	FRAME SET - GM70-KM -	
AC1	1000210729	USER FRAME SET - GM70-KM -	
AG1	1000210707	DISASSEMBLY CONNECT SET U GM70-KM -	
AG2	1000210712	DISASSEMBLY CONNECT SET D GM70-KM -	
AK13	1000215667	Weight Plate axle sleeve - Extrawork,10LBS GM	
AK14	1000215776	WPS set axle sleeve - Extrawork,15LBS GM	
AK18	1000207211	Wps Set Assistant GM59	
AK21	1000207218	Wps Set Superstratum Paint GM59	
AK21	1000207218	Wps Set Superstratum Paint GM59	
B06	1000303546	Plastic Pad Foot Pad - PP BL427	
B10	1000230611	SUPPORT PLATE WHEEL SPHC CHM GM59	
B12	1000200716	ELASTOMER WEIGHT RUBBER GM61	
B17	1000112984	Elastomer Assistant Weight Plate GM59	
B21	1000393987	Sleeve CON Tube painting Iced Sliver G	

B22	1000204728	FIXING PLATE ROPE WHEEL SPHC GM59-KM
B23	073573	Pulley 115mm
B24	1000108796	Screw RND M10x1.5Px55L HS CHM BP G12.9
B25	005144-AC	Washer Flat 10.2X35.0X2.0T Chromed
B26	020465-AB	Washer Flat M10.2X25PX2.0T Chromed
B27	004910-00	Nut NLK M10X1.5P CHM
B28	004476-Z	BOLT SH M8X16
B29	005145-AC	Washer Flat 8.2x19.0x2.0T Chromed
B30	004929-00	Nut Nylon M8x1.25P Chromed
B32	1000096026	Fixing Base Sensor ABS GM40
B34	1000215843	PLASTIC PLATE FRAME CR -
B35	1000230891	SCREW SET M10X1.5PX65L FLATHEADED HS C
B36	1000215844	Guide Rod fitting, Chromed
B37	1000221624	BLOCK - - PAINTING - - -
B39	1000358938	Spring Compression 1.2x12.9x65Lx12N 65
B46	004696-AB	Screw TH M8x1.25Px20L Hex Socket Chrom
B47	004697-AD	Screw Flat Hex Socket M8x1.25Px25L
B76	1000233200	PLASTIC COVER NBR BL
C19	089358	Cover Pulley GM27
C20	020112-A	Screw Hex Socket Round M10x1.5Px50L(Tooth15)
C24	1000219385	CUSHION NBR GM70-KM
C25	1000487589	Stopper Block SBR BL/Black C FW202
C26	1000209557	Pillar Buffer - 20# Chrome PGM59-KM
C27	082535	WASHER FLT Diam.8.2XDiam.38.0X2.0T SPHC
C28	1000224119	NUT HX M16X2.0PX10T G12.9 CHM
C31	1000091482	Fixing Sleeve Axle 20# Zn GM51
C32	1000106868	Cover shaft Painting GM51(service) Adjustment Grip Set - APPLY RED LOCTITE TO PIN THREADS WHEN INSTALLING REPLACEMENT
C35	096165	HANDLE

See "Added Stopper" in Service Bulletins for more information.

C39	1000102675	Stopper Block Pull Pin GM43	
C40	1000358938	Spring Compression 1.2x12.9x65Lx12N 65	
C47	1000205448	PLASTIC COVER - - - GM59	
C61	1000111017	cushion plug Rubber GM49-KM	
D08	067941-C	Cap 25x50x3.0T GM20	
D11	084241	Screw Set M6X1.0PX5L BP POT	
D12	029160-AA	End Cap Handlebar	
D14	009372-E	Cap Grip GM02	
D17	1000108801	Screw RND M5x0.8Px15L HS CHM BP G8.8	
D28	020368-00	NUT HX M10X1.5PX6T SS41 ZINC	
D29	1000218620	SCREW SET M10X1.5PX25L	
D30	1000096996	Cap Three PP GM40	
D33	0000081548	Bearing Ball 8504LLU	New design see bulletin "Swing Arm Joint
D34	1000210773	FOAM H Diam.30.4X5.0TX422L GM70-KM	
D35	1000210817	AXLE, CENTRAL S45C - BASE	
D37	1000210774	RING - NR - GM70-KM	
D38	1000438016	Axle, Swivel Pedal Arm 45# Anti-rust oi	New design see bulletin "Swing Arm Joint
D42	1000218548	Reinforce PULLEY PAINTING GM70-KM	
D43	1000104692	Screw RND M10x1.5Px45L HS CHM BP G12.9	
D47	1000438019	Bearing Sheath Bearing 45# Anti-rust oi	New design see bulletin "Swing Arm Joint See "Added Stopper" in Service Bulletins for more information.
D92	1000353333	Stopper Block Steel Rope POM GM70	
F07	004077-A2	Ball Bearing 6004ZZ 20X42X12T SKF	
F10	1000320956	Movable Pulley Fixing Set Iced Sliver	
F11	1000210705	LOCATION PLATE CAM SPHC CHM GM70-KM	
F12	1000210818	STEEL ROPE A PROCESS Diam.4.8X3190L GM70	
F13	1000490013	Steel Rope-Extrawork Press Rope Hand D	
F14	008522-C	Washer Swivel Axle SS41 Cr	
F15	1000212396	Fixing Plate Cable Head - 45# BED GM46	
F16	1000300002	Fixing Cap Guide Rail PP BL/Black C 18x	
G07	1000215741	FIXED SET - RD PAINTING - - GM63	
G19	1000216939	Protective Adhesive	
H03	1000102675	Stopper Block Pull Pin GM43	

J23	1000217438	Handle Pull Pin TPP Black Orange GM59
K06	1000113106	Tightwire Fix Pin 45# GM59
K07	1000113102	Guide Rod SUS304 Diam.6X1421.7 GM59
K15	1000204997	Steel Weight Plate Up 1080 Spring Steel
K17	1000202352	Cushion Guide Rod
K37	1000209625	GUIDE ROD 45 - WEGHT PLATE
K38	1000102915	Circlip E Type E-15 Cr Plate
K42	1000215659	BUSHING GUIDE ROD POM
K44	1000102912	Circlip External C Type S-30 BED
K47	1000096510	Nut HX M12X1.75P SS41 CHM
L04	1000210485	SCREW SET M5X0.8PX6L FLAT POINT HS G8.8
L05	1000200264	GRIPE ABS+TPR GM59
L10	1000201802	PULL PIN SET WPS GM62 -
L11	1000207213	COVER INCREMENTAL WEIGHT ABS - - -
L13	070571	Washer Flat 5.2X10.0X1.5T CHM
L14	1000108803	Screw RND M5x0.8Px12L HS CHM BP G8.8
L15	1000209576	PLASTIC BASE MAGNET ABS FIXING
L28	1000224913	Cushion Aaw Nbr BI
L31	1000232864	PERMANENT MAGNET - 1500## ##
N01	1000217603	STOPPER PIECE INDUCTOR - SPHC ZH GM40
N61	1000229510	WIRE DISPLAY BOARD -- OKI HARBOR 2.5-
N62	1000096575	Overlay Manipulate GM40
Not Shown	ZMS4003247	Decal, QR, VS-S22 Pec Fly/Delt
Q01	1000113113	Cover Up ABS GM59
Q02	1000113114	Cover Front Clarity ABS GM59
Q07	1000209577	PLASTIC BASE REP COUNTER - FIXING
Q09	1000209593	END CAP ACCENT
Q12	1000209591	PLASTIC BAR - PVC - LABEL
Q13	1000303486	Clamp Cover -
Q40	1000096514	Control Board Matrix H102 S1.60 GM40
Q42	ZMS4001255	Battery, AA for console
Q44	001679-00	Tie Strap Adhesive Nylon 66 HC-101 W
Q45	005811-00	Cable Tie Nylon Black 160L
V01	1000219402	INSTRUCTIONAL LABE FRONT GM70-KM

V02	1000219403	INSTRUCTIONAL LABE REAR GM70-KM	
V03	1000215718	SPEC LABEL 10 LB WEIGHT PLATE BLACK PC	10lb labels.
V04	1000409123	Direction Label Weight Plate 230lbs/140k	15lb labels.
V05	1000215704	MARKING GM59-KM	
V11	1000229556	DIRECTION LABEL PEDAL ARM ADJUSTICAL R	
V12	1000229557	DIRECTION LABEL PEDAL ARM ADJUSTICAL L	
V13	1000221799	DIRECTION LABEL AAW - PC -	
V22	093501	Warning sticker small GM40-KM	
Z01	1000108806	Screw RND M10x1.5Px15L HS CHM BP G12.9	
Z02	1000108793	Screw RND M5x0.8Px10L HS CHM BP G8.8	
Z03	005084-00	Washer Flat 5.3X10.0X1.0T Chromed	
Z04	1000231572	SCREW SH M10X1.5PX20L HS BP CHM	
Z06	1000097206	Screw SH M8X1.25PX25L HS CHM BP	
Z07	098577	SCREW HEX M8X1.25X35L	
Z08	004452-Z	Screw Hex Socket Round M5x0.8Px16L	
Z09	1000099212	Screw SH M6x1.0Px15L - HS - CHM - -	
Z10	020104-AC	Screw Hex Socket Round M10x1.5Px30L Cr	
Z11	103406	Washer Flat 8.2x20.0x1.8t Cr Plat	
Z12	1000099786	Washer Wave 65Mn BAN 28.0x20.3x0.5 GM51	
Z13	004518-00	Screw SH M10X1.5PX75L HS CHM	
Z15	005017-00	Washer Spring SW10 10.2X18.4X2.5T Chromed	
Z16	1000102584	Screw Hex M10x1.5Px20L Cr Plate G12.9	
Z23	020196-A	Screw Phillip BH Tapped 3x6L Zn-BL	
Z24	004617-00	Screw Console Case Oval Tapping 4x15L	
Z26	1000215728	DIRECTION LABEL SEAT ADJUSTABLE PC	
Z27	020081-00	Screw SH M8X1.25PX60L HS G12.9	
Z44	1000104672	Screw BH M5x0.8Px10L HS CST CST CST CHM	
Z66	040816-A	Screw Phillip BH Tapped 3x8L	
AD1	1000210760	PEDAL ARM CON SET - LD PAINTING - - GM70	
AD2	1000210768	PEDAL ARM CON SET - LU PAINTING - - GM70	
AD3	1000210821	SUPPORT SET PULLEY L PAINTI	

AD4	1000210742	PEDAL ARM CON SET - RD PAINTING - - GM70	
AD5	1000210751	PEDAL ARM CON SET - RU PAINTING - - GM70	
AD6	1000210827	SUPPORT SET PULLEY R PAINTI	
AF1	1000210725	CAM WELDING SET - L PAINTING - - GM70-KM	
AF2	1000210703	CAM WELDING SET - R PAINTING - - GM70-KM	
C18	1000210463	STOPPER PIECE CAM SPHC PAT GM40	
C38	1000209624	AXLE, CENTRAL 45 - PULL PIN	
D18	1000210736	AXLE, CENTRAL 45 LEFT -	
D89	1000353335	Fixing Plate Steel Rope Rt Stop GM70	
D90	1000353334	Fixing Plate Steel Rope L Stop GM70	
J22	1000205013	Ring Pull Pin SPHC White Zinc GM59-KM F	
J25	See Pad Matrix	PAD SET SA HEAD PAD GM59-KM BK	
J26	See Pad Matrix	Back Pad Middle PU,Vesicant Black GM59-K	
J27	See Pad Matrix	Seat Pad PU,Vesicant Alloy Gray GM40-K	
K48	020509-A	Washer F12.5XF25.0X1.0T Chrome DSP	
Not Shown	1000217202	Hardware Semi-Assy GM70-KM	
Not Shown	1000217202	Hardware Kit	
Q11	1000209571	GripEnd Cover ADC12 ADC12	
V33	1000369167	Warning Label Frame PC English/French	
V34	1000228208	EN LABEL GM70	
V51	1000363760	Warning Label Frame PC English GM40	
Z05	020117-AD	SCREW SH M10X1.5PX125L HS CHM	
12	1000207217	Wps Superstratum GM59	Discontinued
14	1000209569	PREMIUM - PIN SET SA ADJUSTABLE# GM59	Discontinued - Premium version of Kit 9.
5	1000210759	PEDAL ARM SET LD GM70-KM -	Discontinued
6	1000210741	PEDAL ARM SET RD GM70-KM -	Discontinued
9	1000209623	PIN SET SA ADJUSTABLE#VALUE LINE# GM59 -	Discontinued - Order Kit 14 for Premium.
B06	1000233199	PLASTIC PAD PP BL	Discontinued
B21	098979	Sleeve CON Dode Peadel Arm 45# GM40	Discontinued
B29	005040-AB	Washer Flat 8.4X15.5X1.6T	Discontinued

B37	1000209555	FIXING PLATE COVER - SPHC - GM59	Discontinued
B39	005486-E	Spring SWP GM09	Discontinued
C25	090440	Stopper BlockRubber GM30	Discontinued
C32	096168	Cover shaft Painting GM51	Discontinued
C40	005486-E	Spring SWP GM09	Discontinued
D33	1000098549	Bushing 30x25x20mm GM44	
D38	1000210749	AXLE,TRANSMISSION 45#	Discontinued
F10	1000106088	Fixing Plate Pulley Painting GM46(servic	Discontinued
F13	1000210819	STEEL ROPE B PROCESS Diam.4.8X4015L	Discontinued
Q08	1000215769	Plastic Cover - - TPR - - - -	Discontinued
Q42	1000096574	Lithium and Iron Disulfide Battery	Discontinued
V04	1000215727	DIRECTION LABEL WEIGHTPLATE#15LBS PC	Discontinued - 15lb labels.
Z11	005047-Z	Washer Flat Diam.X8.2xDiam.X20.0x1.8T C	Discontinued
Z24	1000090321	Screw BH 4X15L TC PH G8.8 BAN POT	Discontinued